

Fig 1: 3.0L, Engine Performance Circuit (1 of 4)

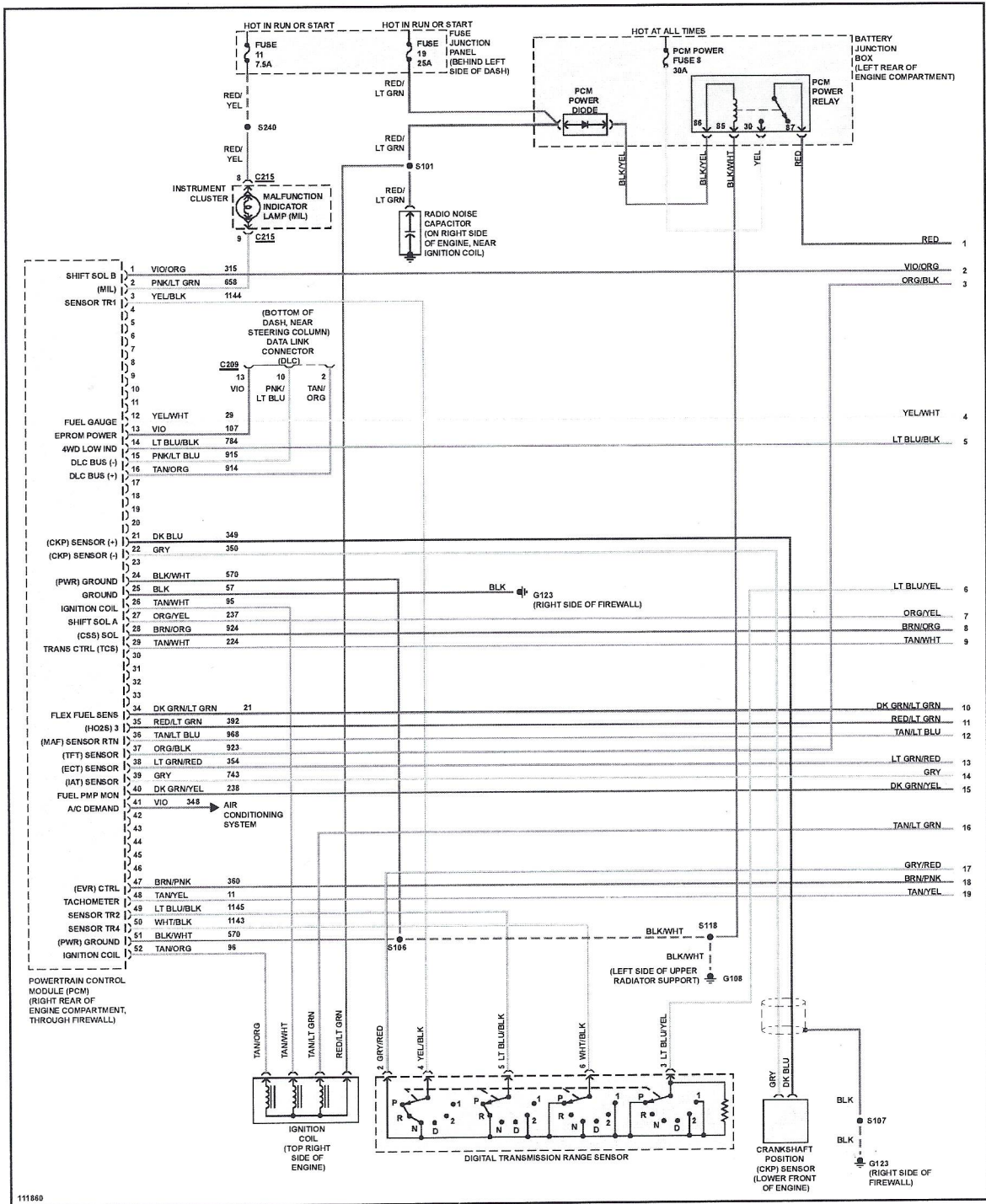


Fig 2: 3.0L, Engine Performance Circuit (2 of 4)

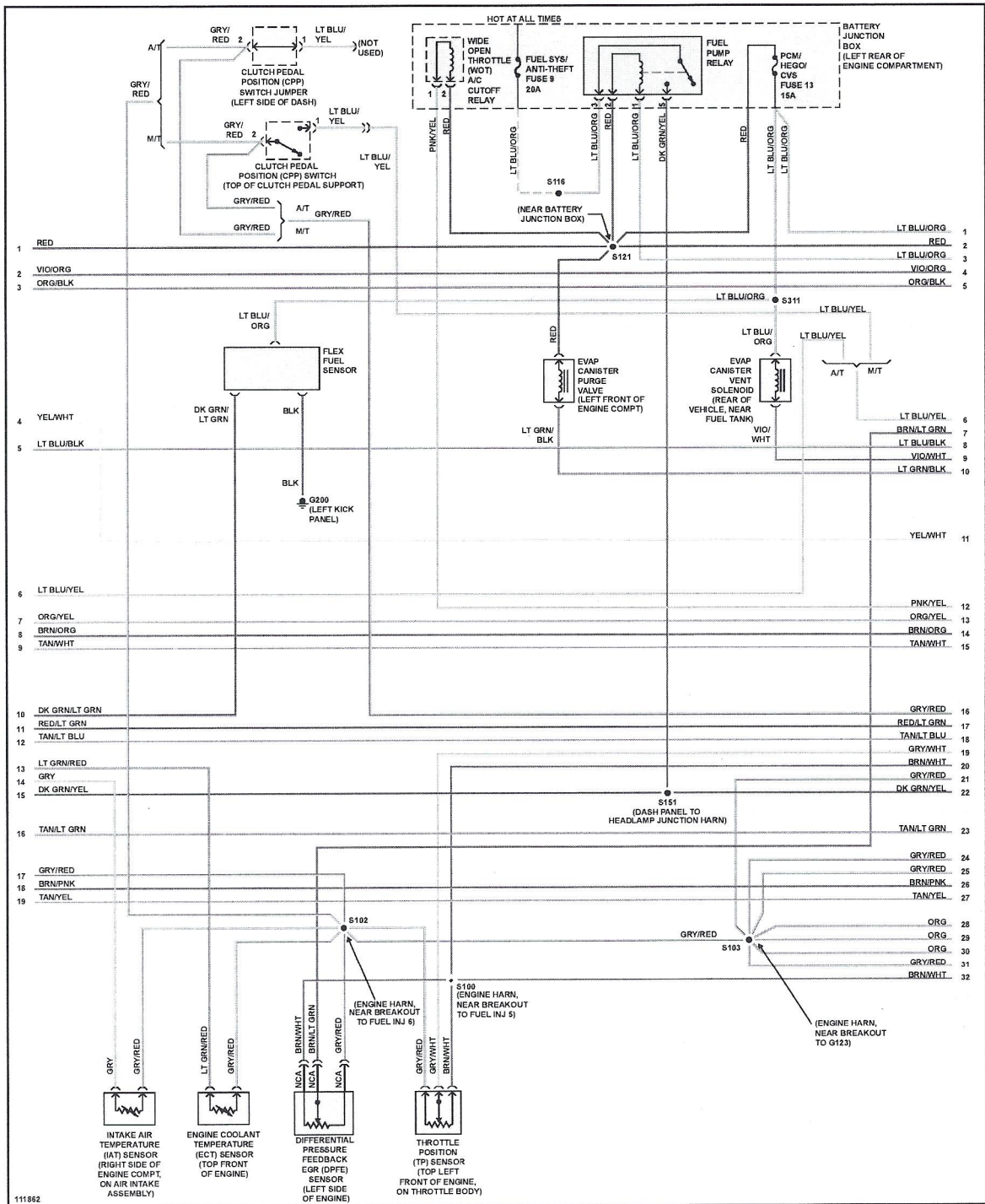




Fig 3: 3.0L, Engine Performance Circuit (3 of 4)

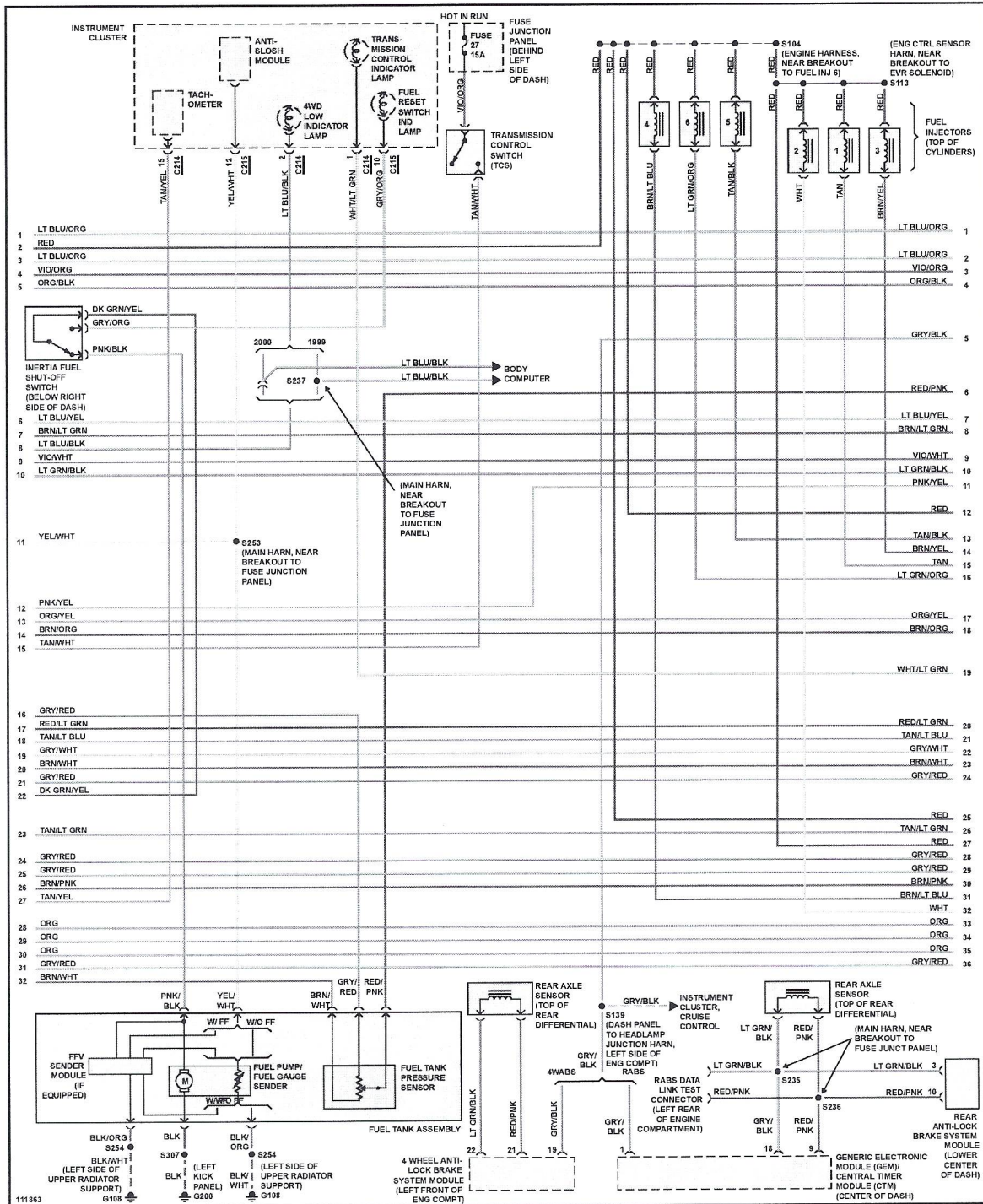


Fig 4: 3.0L, Engine Performance Circuit (4 of 4)

